

# SEBO Essential G Owner's Manual

## Owner's Manual for the SEBO Essential G Vacuum

### Table of Contents

<b>Technical Details</b>	<b>Important Safety Instructions</b>	<b>Sebo duo Carpet Cleaning System Product Features</b>	<b>Identification of Parts</b>
<b>Clog Removal</b>	<b>Assembly</b>	<b>Operating Instructions</b>	<b>How to Use the Duo Cleaning System</b>
<b>Maintenance</b>	<b>Troubleshooting Guide</b>	<b>Schematic and Part Numbers</b>	<b>Warranty Information</b>

### Technical Details

Vacuum Motor - 1300 watts - 10.8 amps  
Filter bag capacity - 1.4 gal  
120v AC - 50-60Hz  
Brush speed - 3100rpm

Water lift at motor - 92.5in  
Sound level - 69 dB  
Working width - G1-12" | G2-15"  
Floor adjustment - manual

Airflow at motor - 103.8 CFM  
Body weight:  
G1 (16.9lbs) | G2 (17.1 lbs)  
Brush Drive - toothed belt  
Cord length - 40ft

### Important Safety Instructions




#### READ ALL INSTRUCTIONS BEFORE USING THIS MACHINE

**When using an electrical appliance, basic precautions must always be followed.**

To reduce the risk of electric shock, this brush machine has a polarized plug; one blade is wider than the other. This plug will fit in a polarized outlet only one way. If the plug does not fit fully in the outlet, reverse the plug. If it still does not fit, contact a qualified electrician to install the proper outlet. Do not change the plug in any way. Connect only to the outlet type specified on the serial number plate underneath the machine.

#### SAVE THESE INSTRUCTIONS.

#### **WARNING: To reduce the risk of fire, electric shock, or injury:**

- Do not leave brush machine while plugged in. Unplug from outlet when not in use and before servicing.
- Do not use outdoors or on wet surfaces.
- Do not use near small children or pets. Do not allow to be used as a toy. Use of this product by children should always be supervised by an adult.
- Use only as described in this manual. Use only manufacturer-recommended attachments.
- Do not use with a damaged cord or plug. If brush machine is not working as it should, has been dropped, damaged, left outdoors, or dropped into water, take it to a SEBO service center.
- Do not pull or carry by cord, use cord as a handle, close a door on cord, or pull cord around sharp edges or corners. Do not run machine over cord. Keep cord away from heated surfaces.
- Do not unplug by pulling on cord. To unplug, grasp the plug  not the cord.
- Do not plug in if switch is in the  (ON) position.
- Do not use outlets above counters to plug in brush machine  damage to items in the surrounding area could occur.
- Always carry the machine over steps and sills.
- Do not handle plug or vacuum handle with wet hands.
- Do not put any object into machine openings. Do not use machine with any openings blocked. Keep openings free of lint, hair, and anything that may reduce air flow.
- Do not re-use filter (dust) bags or wash the filters.
- Do not remove any screws from vacuum.
- Do not run machine over anything that is burning or smoking, such as cigarettes, matches, or hot ashes.
- Do not use vacuum without dust bag and/or filters in place.
- Turn off all machine controls before unplugging.
- Use extra care when cleaning on stairs.
- Do not use machine to clean up flammable or combustible liquids such as gasoline or use in areas where they may be present.
- Machines can cause a fire when operated near flammable vapors or materials. Do not operate this machine near flammable fluids, dust or vapors.
- Maintenance and repairs must be done by qualified personnel.
- Use only original SEBO replacement parts.

- Do not use machine as a step.
- If vacuum is used on plush carpet or carpet with thick padding, do not leave machine standing in one place with machine turned on.
- Keep hair, loose clothing, fingers, and all parts of body away from machine openings and moving parts. Do not place fingers or other body parts under machine, unless it is unplugged.
- Do not place the power head over rug or carpet edges.
- The vacuum has a manual reset thermal protector. The protector is reset by switching off the vacuum. The thermal protector needs some time to cool down after switching off! Check the vacuum for air blockages or mechanical failures before switching on.
- Store the vacuum in a dry place at room temperature. When the vacuum is not in use, you should wrap the cord on the cable hooks.
- Any other servicing should be performed by an authorized service representative.

## Special Product Features

Your SEBO essential G series vacuum cleaner is the most technically advanced upright vacuum cleaner in the world. Along with its excellent filtration system (99.9% to 0.3 microns), the machine has warning systems and automatic shut-off capabilities that are designed to alert the user to machine problems that, if ignored, will damage the machine or diminish performance. Some of your SEBO essential's most unique features are:

### 1. S-Class Filtration

Certified by leading Allergy foundations in Europe, the essential G-Series vacuum provides the user with S-Class filtration of 99.9% of particles to 0.3 microns. This is accomplished by the SEBO three-step filtration system. First, the three-layer full-size filter bag (a) collects the vast majority of the debris. Then, the remainder of the particles are collected by the hospital-grade micro filter (b). Finally, the micro-exhaust filter (c) cleans the exhaust air that the vacuum emits. Sebo's unwavering attention to the complete sealing of the machine ensures no dust or dirt escapes around the micro filters. If the micro filters are changed regularly (every 10-20 bags), the essential G is perfect for allergy or asthma sufferers.

### 2. Brush Roller Obstruction

**Auto Shut-Off.** If the brush roller is obstructed, the machine will shut off in 3 seconds and the red **CHECK BRUSH** light located on top of the power head will flash. The user should turn the switch off, unplug the machine and immediately remove the obstruction. If the user restarts the machine without removing the obstruction, the machine will again shut off in 3 seconds and the **CHECK BRUSH** light will flash.

### 3. Brush Roller Deterioration Warning

If the red **CHECK BRUSH** light is illuminated continuously while the head is in position 1 (after a 10 second delay) it is signaling the user that the brush roller is too worn and, therefore, should be replaced. The light will remain illuminated until the worn brush roller is replaced, but the machine will continue to operate in the meantime.

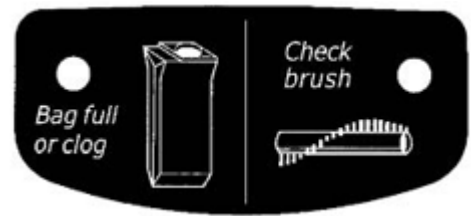
### 4. Stationary Use Warning

When the machine has its handle in the upright-locked position, it is designed to disengage the brush roller from the floor by raising the height of the power head. If the power head is in position 1 (the highest setting) but is still engaged in the carpet, the **CHECK BRUSH** light will slowly flash to alert the user. This can occur on extremely high-nap carpet, such as loose-pile shag, or on carpets with extraordinarily thick padding underneath. However, it is typically caused by the user pulling forward on the machine while using the attachment hose or active wand. This feature was designed to be an alert to the user to **take care** while the machine is stationary. An operating machine should not stand stationary on the floor for inappropriate periods of time.



## 5. Bag Full or Clog Warning

**Auto Shut-Off.** If the vacuum's air flow pathway becomes restricted due to a full bag or the existence of a clog, the red **BAG FULL OR CLOG** light located on top of the power head will illuminate. If the user ignores this warning for approximately 30 seconds, the machine will shut off and the **BAG FULL OR CLOG** light will flash. The user should turn the switch off, unplug the machine and immediately insert a new bag or remove the clog (to remove a clog, refer to the Clog Removal section on page 9). If the user restarts the machine without having solved the problem, the **BAG FULL OR CLOG** light will again illuminate and the machine will shut off in 30 seconds.



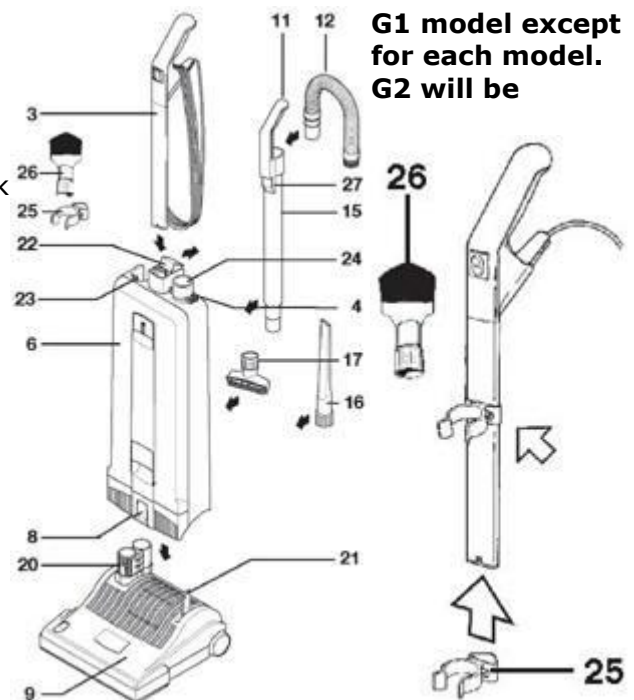
## Assembly

**All illustrations shown in this manual represent the where part numbers and instructions are different In those instances, illustrations for both the G1 and shown.**

Place the power head (9) on the floor with the swivel neck (20) and the support lever (21) upright. Hold the dust bag housing (6) vertically and place it over the swivel neck and support lever. Push firmly and evenly down so that the housing release button (8) snaps outward to its **locked** position.

Slide the dusting brush clamp (25) onto the handle tube (3) and tighten the screw. The handle of the dusting brush (26) will now snap into the clamp.

To insert the handle tube (3) into the housing, lift the catch (22), slide the handle in, making sure that the handle is all the way in and cannot go any further. Push the catch (22) down to lock handle in place. If the handle is not pushed fully down, the vacuum will not work.



**G1 model except for each model. G2 will be**

Push the black end of the attachment hose (12) into the connecting tube (24) so that it clicks into place. Insert the attachment tube (15) into the swivel neck and push the handle (11) over the projection tab (23).

Insert crevice nozzle (16) and upholstery nozzle (17) into the recesses in the back of the machine.

[Return to Top](#)

## Operating Instructions

### Starting The Machine - Figures 1 & 2

A. Before turning on your vacuum cleaner, make sure that the vacuum handle is in its upright locked position and that you have a firm hold on the handle grip to keep the machine from moving forward.

1. Turn the quick release cable hook (14) to the up position by moving it to the left or right (figure 1).
2. Release the power cord plug from the power cord and lift the cord off of the upper cord hook (27 - figure 2).
3. With the switch (2) in the **OFF** position (figure 2), plug the polarized power cord into a 120 volt outlet located near the floor.

### Operating Positions -Figure 3

B. When the machine is switched on with the handle in the upright locked position (see A above), the power head and brush automatically rise from the carpet. To release the machine from the upright locked position, press down on the foot pedal (19) and lower the handle into the normal operating position. The brush will automatically lower.

The handle can be lowered to an intermediate stop position in order to lift up the brush head for maneuvering over rugs, etc. To lower the handle to a horizontal position useful for vacuuming under beds, the foot pedal must be pressed a second time. The intermediate stop position can be closed off by the orange-colored slider (28) on the back of the swivel neck (20), so that the handle will go from vertical to horizontal in one movement.

**WARNING!** The quality, condition, coating, texture, age and manufacturing technique of all floor surfaces vary. Therefore, upright vacuums with rotating brushes, including your SEBO, may damage some floor coverings or surfaces. Some types of high-gloss hardwood floors, cushion vinyl, berber carpets, long shag, and delicate or hand-woven carpets are particularly vulnerable to damage by rotating brushes. When possible, consult the materials supplied by your floor's manufacturer for information on proper upkeep and cleaning. To ensure that your new SEBO vacuum cleaner is compatible with your floor, please test the vacuum cleaner on each type of flooring surface in a small inconspicuous area to determine if any damage occurs. If damage occurs, stop using the vacuum cleaner immediately! Care must be taken to ensure that the bottom of the machine does not contact the floor. If this happens, damage to the floor could occur. If damage occurs, stop using the vacuum cleaner immediately!

## Using the Attachment Tube, Hose & Attachments

The attachment tube (15) is useful for vacuuming corners and hard-to-reach areas. The handle grip (1) should be in the upright, locked position (as shown in figure 1). Grip the attachment tube handle (11), pull it up and away from the machine and stretch out the hose (12) until it locks to the back of the tube (this locking action will prevent the hose from retracting back into the attachment tube while it is in use). Various attachments may be inserted onto the end of the tube. After use, remove attachment and re-insert the attachment tube into the back of the machine. Be sure that the attachment tube handle (11) is inserted over the projection tab (see #23, page

5). If  
over  
hose

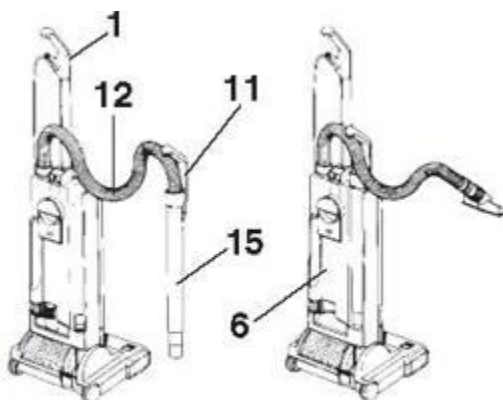


Figure 4

Figure 5

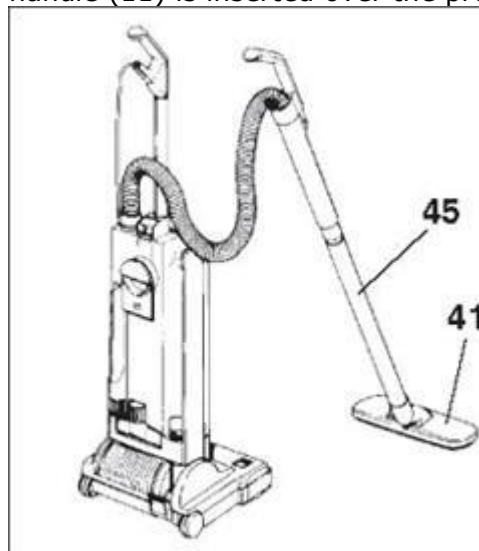


Figure 6

the attachment tube handle is properly seated the projection tab, the will automatically retract and you may resume vacuuming. There is no need to turn off the vacuum while switching from upright vacuuming to using the attachment tube or hose.

To use the hose without the attachment tube (as shown in figure 2), pull the hose out of the attachment tube while the tube is still attached to

the machine and securely seated over the projection tab (23). Insert an attachment tool, if desired, onto the end of the flexible hose. You may also release the hose while the attachment tube is disengaged from the machine by pressing the release button (2) at the base of the handle (11). While using attachment tools, if the the power head brush roller is not able to disengage from the floor surface, you may keep the brush roller off the car- pet by placing the handle (1) in its upright locked position and lowering the handle with one hand to raise the brush roller off of the floor. Operate attachment accessories with the other hand. Or, with the handle in the upright locked position, the machine may be tipped backward so that it rests on the back side of the bag housing (6), and the power head is locked in a perpendicular position to the floor.

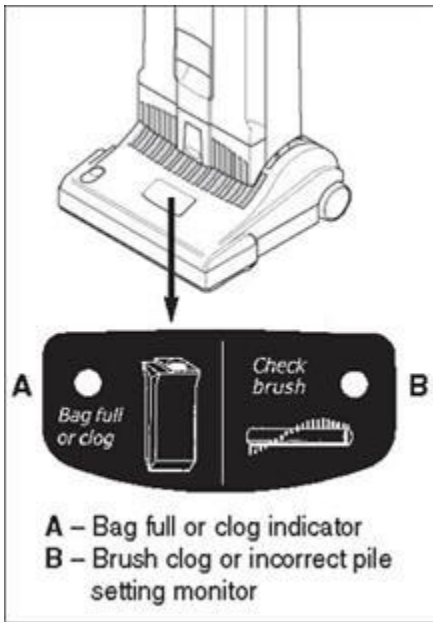


Figure 7

To vacuum walls, under beds, or higher-reach areas, etc., the SEBO essential G can be fitted with an additional straight tube (45) and the wall and floor brush (41). The machine will then perform as a canister vacuum (as shown in figure 3).

### The Display Panel - Figure 7

Red Light	Description
A	Off ♦ Operation of machine is normal
A	Continuous ♦ change bag or clear clog in the hose or power head.
A	Flashing and motor off ♦ dust bag is full, or clog in the hose or power head due to ignoring the continuous red warning light for full bag or clog (see above)
B	Off ♦ Operation of brush is normal
B	Continuous while in position 1 on the pile adjustment knob (18) ♦ brush is worn -change brush roller
B	Continuous while in positions 1-4 ♦ incorrect brush setting - adjust the brush by turning the pile adjustment knob (18) to a higher or lower position
B	Flashing and motor switched off ♦ clogged brush
B	Flashing and motor switched off with no blockage ♦ raise brush to a higher position

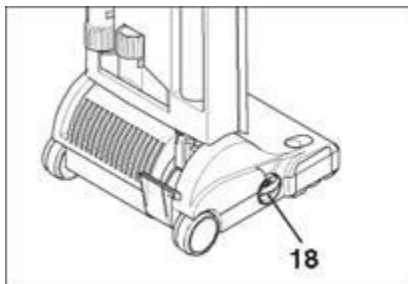


Figure 8

The pile adjustment wheel (18) has 4 brush height settings. Setting 1 is the lowest brush setting and setting 4 is the highest brush setting. When starting the vacuum, always start with the knob set at 4, then lower knob settings until the brush reaches the proper height. The red brush light on the display panel will light after 6 seconds if the brush is too high. Adjust the knob down. If after 6 seconds, the brush light stays unlit, the brush is at the proper setting for the pile. The red brush light will also illuminate if the setting is too low. Adjust the knob up until the light stays unlit after 6 seconds.

# Maintenance

**Always unplug vacuum from outlet before dismantling any part of the machine!**

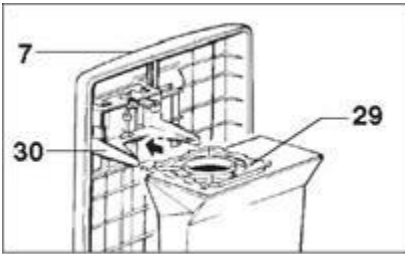


Figure 9

## Changing the Dust Bag -Figure 9

To change the dust bag, pull the cover release flap forward (#5 on page 5) and lift the cover (7) from the dust bag housing. The cover release flap must remain in a forward pulled-out position to change dust bags and lock them into place. Squeeze the clamps on both sides of the dust bag sealing plate (29), slide the plate from the holder (30) and push the cap on to seal the bag. Slide the sealing plate (29) of a new bag into the holder and push it in firmly. Re-insert cover into dust bag housing, push it forward, then lock it in place by pushing down the cover release flap.

You may find it convenient to store the bag cap inside the dust bag housing below the dust bag.

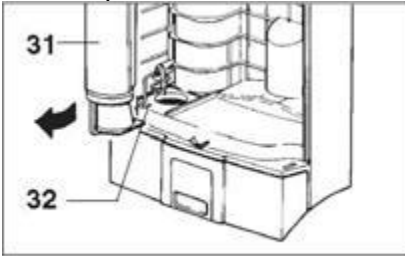


Figure 10

## Changing the Micro-Hygiene Filter - Figure 10

The micro-hygiene filter (31) needs to be changed when it becomes extremely dirty or clogged with dust, or after approximately 20 dust bags have been used. To change the micro-hygiene filter, pull the cover release flap (#5 on page 5) forward and lift the cover (7) from the dust bag housing. Then, slide the filter out at the bottom. To replace, lift the safety lever (32) and slide the new filter in using the tracks as guides.

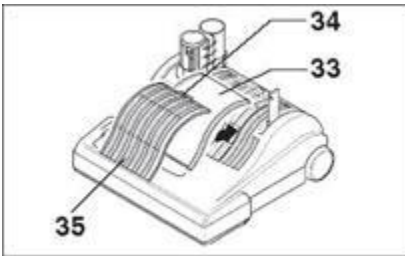
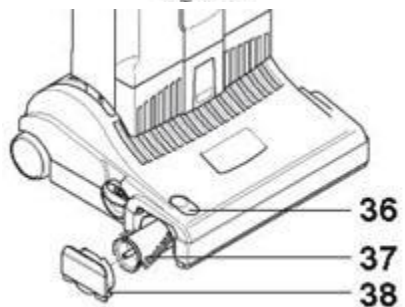


Figure 11

## Changing the Exhaust Filter -Figure 11

After 20 bags have been used, change the exhaust filter (33). Remove the dust bag housing (6) from the power head by pressing the housing release button (8). To remove the exhaust filter, push the catch (34) and remove the filter cover (35) and exhaust filter. Insert the new filter, replace the filter cover then insert the dust bag housing back into the power head.



## Changing the Brush Roller -Figure 12

To change the brush roller (37), push the button (36), remove the side plate (38), turn the brush clockwise a quarter of a turn, and pull the old brush roller out. Slide the new brush roller into the brush housing and turn it until it locks into position. While slightly pushing the button (36), press the side plate (38) back into the locked position.

# Clog Removal

**Always unplug vacuum from outlet before removing any clogs!**

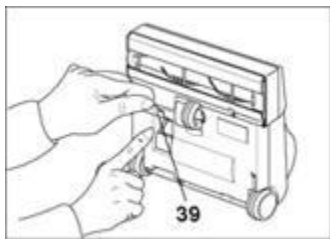


Figure 13

## Clogs in the Airflow Pathway -Figure 13

Most clogs can be removed by accessing the airflow pathway via the orange colored access door (39) located on the underside of the power head. However, other clogs may only be removed by accessing the airflow pathway by disassembling the machine in the opposite sequence of the machine's original assembly (see assembly, page 5).

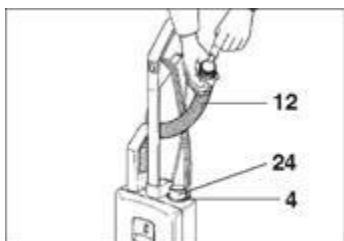


Figure 14

## Clogs in the Attachment Hose -Figure 14

Blockages in the hose can be cleared by removing the attachment hose (12) from the machine by squeezing the retaining ring (4) and inserting the opposite end of the hose in the connecting tube (24). Hold the hose upright with one hand blocking the top end and switch on the machine. If necessary, quickly lift your hand on and off the end of the hose. If this procedure does not clear the clog, a straight wire can be inserted into the hose to push out the clog. Take care not to puncture the hose with the wire.

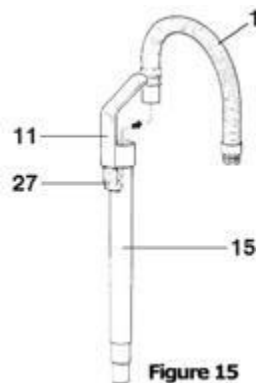


Figure 15

## Clogs in the Attachment Tube (Active Wand) -Figure 15

Remove attachment hose (12) from the attachment tube (15) by pressing the hose release button (27). Then, grip attachment tube handle (11) and remove tube from the machine. A straight wire can be inserted into the tube to push out the clog.

## Clogs in Entrance to Dust Bag -Figure 16

Remove attachment hose (12) from vacuum cleaner (see figure 14) and remove front cover (7). Clean out connecting tube (24) and/or entrance to bag (40).

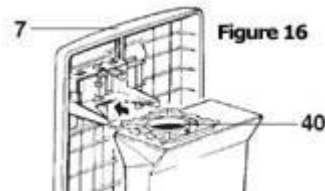


Figure 16

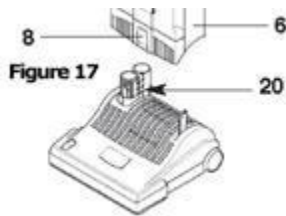


Figure 17

## Clogs in the Swivel Neck -Figure 17

Clogs in the swivel neck (20) can be removed by first pressing the housing release button (8) and lifting off the dust bag housing (6). Lift upward firmly and evenly to properly remove the dust bag housing. Then, release the foot pedal (19), lower the swivel neck, check inside the swivel neck channel closest to the foot pedal (see arrow), and clean out pathway.

## Troubleshooting Guide

**Always unplug brush machine from outlet before dismantling any part of the machine!**

Problem	Reason(s)	Solution
<b>Does not turn on or machine shuts off intermittently.</b>	Handle not fully inserted into the housing, causing a faulty connection	Release handle catch, push handle down, close handle catch
	Not plugged into good outlet.	Use another outlet.
	Cable worn.	Replace cable
	Dust bag housing not seated fully into proper 'locked' position on top of power head	Housing release button should be snapped outward to its locked position
<b>Bag full or clog light on or flashing &amp; machine shuts off (red light A)</b>	Bag full	Replace bag
	Micro filter dirty	Replace micro filter
<b>Brush light on (red light B)</b>	Brush worn	Replace brush
	Incorrect brush setting	Adjust the brush by turning the pile adjustment knob up or down
<b>Brush light flashing &amp; machine shuts off (red light B)</b>	Brush jammed or clogged	Clear jam
	Brush is too low for the surface being vacuumed	Raise the brush by turning the pile adjustment knob up
<b>Does not pick up</b>	Attachment tube not correctly inserted	Reinsert attachment tube, making sure lower end of tube is in the lower hole and handle is properly seated over the projection tab.
	Front cover not closed	See below
<b>Front bag cover won't fully close</b>	Cover release flap not fully closed	Reinsert bag. Lock the cover release flap down firmly.
	Bag not inserted properly	Reinsert bag with cover release flap up until firmly latched in bag holder
	Micro filter not properly inserted	Lift safety lever and insert filter with vertical plastic ridge on filter facing you
<b>Hose doesn't retract after attachment tube is inserted</b>	Attachment tube not properly inserted	Reinsert making sure top of handle is pointing back and tube is fully seated on the protruding tab on top of the dust bag housing.



## Warranty Information

### Five Year Non-Wear Parts - Five Year Motor - One Year Labor

1. Your authorized SEBO dealer or SEBO will provide the original product purchaser with replacement of Non- Wear Parts which fail due to a material or workman- ship defect for a period of five (5) years from the original date of purchase of new product. SEBO America will provide a five (5) year warranty on suction motors and brush drive motors.
2. Your authorized Sebo dealer or Sebo will repair (or will cover labor charges associated with repair) a defective Sebo brush machine at no cost to the original purchaser, within one (1) year or original purchase of new product.
3. Sebo America or an authorized Sebo dealer must complete all warranty repairs.
4. To locate an authorized Sebo dealer in your area, or to register a warranty claim in the **United States of America, please visit [www.sebo.us](http://www.sebo.us)**
5. To locate an authorized Sebo dealer in your area, or to register a warranty claim in **Canada, please call Floor Care Equipment, Ltd. at 800-661-8687**
6. The warranties provided for above apply exclusively to Sebo brush machines which are used residentially. No warranty is provided for Sebo vacuum cleaners used commercially.
7. The wear parts excluded from warranty coverage include filter bags, micro hygiene filters, exhaust filters, the cable (external cord), the attachment hose, the brush rollers, the front bottom plate, the read bottom plate, the telescopic tube, the crevice nozzle, the upholstery nozzle, the dusting brush and all of the optional attachments.
8. This warranty applies only while your Sebo brush machine is physically located within the United States of America and its territories or Canada.
9. The purchase receipt showing the date, price, and item of purchase is the initial document of proof of purchase and determines the validity of warranty. To be certain that your warranty claim can be processed as quickly and efficiently as possible, please retain your original purchase receipt and mail in the warranty card provided with your new Sebo brush machine.
10. This warranty gives you specific legal rights. You may also have other legal rights, which vary from state/province to state/province.
11. Sebo America will not process nor will it accept responsibility for warranty claims for machines purchased from dealers located in Canada. Floor Care Equipment, Ltd. will not process nor will it accept responsibility for warranty claims for machines purchased from dealers located in the United States.

**EXCLUSIVE REMEDY:** The remedies provided under the terms of this warranty are the purchaser's exclusive remedies and are in lieu of any other remedies otherwise available.

#### **THE WARRANTY DOES NOT COVER:**

- Used or secondhand products.
- Products outside of the warranty period.
- Items not manufactured by Sebo.
- Normal maintenance service.
- Equipment damaged by improper use, accident, other casualty or negligence.
- Machines equipped with non-authorized attachments or modifications.
- Machines on which the serial number has been altered or removed.

#### **Limitations and exclusions:**

Sebo makes no other representations or warranties, expressed or implied and specifically excluded the implied warranties of merchantability and fitness for a particular purpose.

Sebo will not be liable for incidental or consequential damages of any kind or nature.  
This disclaimer of implied warranties shall not apply to the extent said disclaimer is not allowed by applicable state/provincial law.

**To contact Sebo in the United States:**

Sebo America, LLC  
Telephone: 303-792-9181  
Fax: 303-792-9196  
Website: [www.sebo.us](http://www.sebo.us)

◆ Copyright Sebo America, LLC - All Rights Reserved