

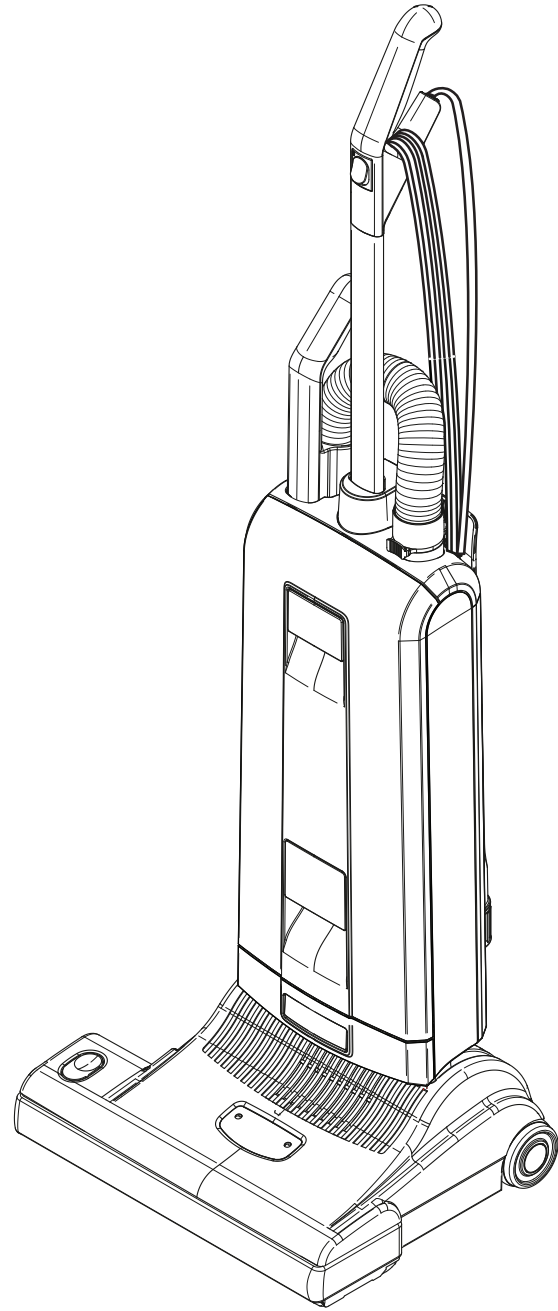
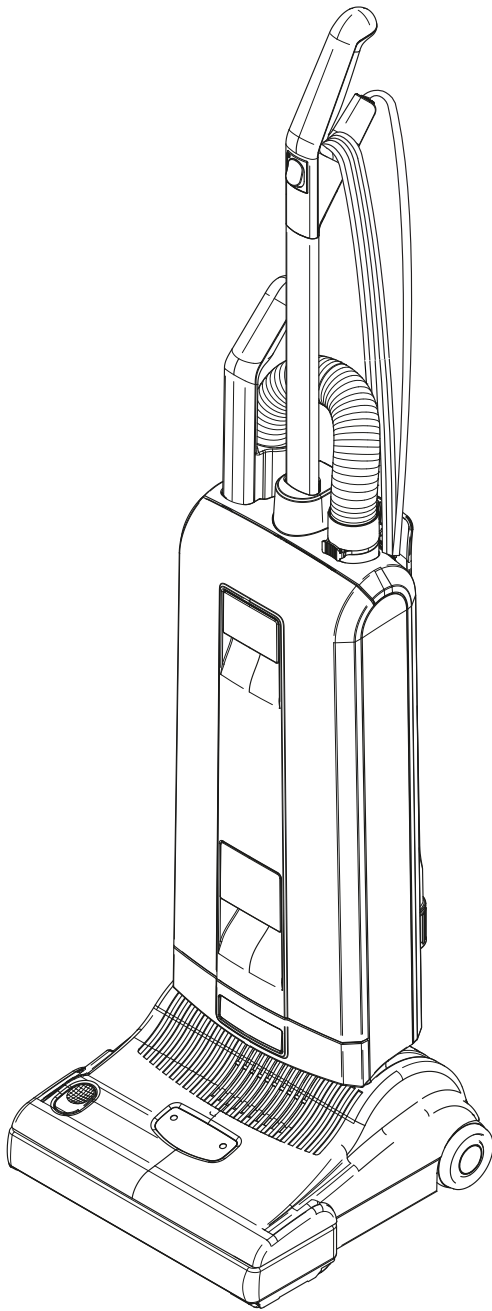


SEBO ESSENTIAL G4 | G5

MADE IN GERMANY

# OWNER'S MANUAL

For Household Use Only



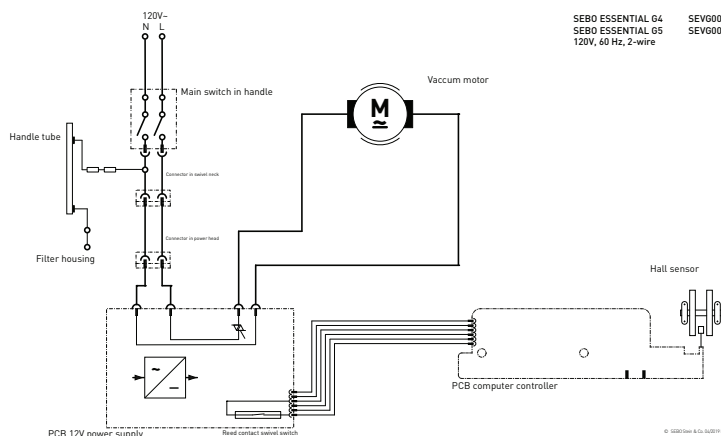
# TABLE OF CONTENTS

<b>Technical Details</b> .....	<b>2</b>
<b>Wiring Diagram</b> .....	<b>2</b>
<b>How To Contact SEBO</b> .....	<b>2</b>
<b>Important Safety Instructions</b> .....	<b>3</b>
<b>SEBO Essential G Product Features</b> .....	<b>4</b>
<b>Standard Features of all SEBO Vacuums</b> .....	<b>5</b>
<b>Optional Attachments, Accessories, Bags &amp; Filters</b> .....	<b>6</b>
<b>Identification of Parts</b> .....	<b>7</b>
Standard Attachments .....	7
<b>Assembly</b> .....	<b>7</b>
<b>Operating Instructions</b> .....	<b>8</b>
Starting the Machine .....	8
Operating Positions .....	8
Using the Cleaning Wand, Hose & Attachments .....	9
The Display Panel .....	9
The Height Adjustment Wheel .....	9
<b>Maintenance</b> .....	<b>10</b>
Changing the Filter Bag .....	10
Changing the Pre-motor Microfilter .....	10
Changing the Exhaust Filter .....	10
Changing the Brush Roller .....	10
<b>Clog Removal</b> .....	<b>11</b>
Clogs in the Airflow Pathway .....	11
Clogs in the Attachment Hose .....	11
Clogs in the Cleaning Wand .....	11
Clogs in Entrance to Filter Bag .....	11
Clogs in the Swivel Neck .....	11
<b>Trouble-shooting Guide</b> .....	<b>12</b>
<b>ESSENTIAL G4   G5 Bag Housing and Handle Schematic and Part Numbers</b> .....	<b>13</b>
<b>ESSENTIAL G4 Power Head Schematic and Part Numbers</b> .....	<b>14</b>
<b>ESSENTIAL G5 Power Head Schematic and Part Numbers</b> .....	<b>15</b>

## TECHNICAL DETAILS

Vacuum motor	1300 watts (12 amps)
Water lift (at motor)	92.5 in. H <sub>2</sub> O
Airflow (at motor)	103.8 CFM
Filter bag capacity	1.4 gal.
Sound level	69 dBA
Body weight	G4-16.9 lbs / G5-17.1 lbs
Motor protection	thermal cut-out
Working width	G4-12 inches / G5-15 inches
Brush drive	toothed belt
Brush speed	3100 rpm
Floor adjustment	manual
Cord length	40 feet
Radio suppression	EN 55014 Verf. 242/91

## WIRING DIAGRAM



## HOW TO CONTACT SEBO

### To contact SEBO in the United States of America:

SEBO America, LLC  
 Telephone: (800) 334-6614  
 Fax: (303) 792-9196  
 Website: [www.sebo.us](http://www.sebo.us)

### To contact SEBO in Canada:

SEBO Canada  
 Telephone: (800) 661-8687  
 Fax: (800) 270-4807  
 Website: [www.sebocanada.ca](http://www.sebocanada.ca)

# IMPORTANT SAFETY INSTRUCTIONS



## READ ALL INSTRUCTIONS BEFORE USING THIS MACHINE

### When using an electrical appliance, basic precautions must always be followed.

To reduce the risk of electric shock, this vacuum cleaner has a polarized plug; one blade is wider than the other. This plug will fit in a polarized outlet only one way. If the plug does not fit fully in the outlet, reverse the plug. If it still does not fit, contact a qualified electrician to install the proper outlet. Do not change the plug in any way. Connect only to the outlet type specified on the serial number plate underneath the machine.

### SAVE THESE INSTRUCTIONS.

## WARNING: To reduce the risk of fire, electric shock, or injury:

1. Do not leave vacuum while plugged in. Unplug from outlet when not in use and before servicing.
2. Do not use outdoors or on wet surfaces.
3. Do not use near small children or pets. Do not allow to be used as a toy. Use of this product by children should always be supervised by an adult.
4. Use only as described in this manual. Use only manufacturer-recommended attachments.
5. Do not use with a damaged cord or plug. If vacuum is not working as it should, has been dropped, damaged, left outdoors, or dropped into water, take it to a SEBO service center.
6. Do not pull or carry by cord, use cord as a handle, close a door on cord, or pull cord around sharp edges or corners. Do not run vacuum over cord. Keep cord away from heated surfaces.
7. Do not unplug by pulling on cord. To unplug, grasp the plug – not the cord.
8. Do not plug in if switch is in the “I” (ON) position.
9. Do not use outlets above counters to plug in vacuum – damage to items in the surrounding area could occur.
10. Always carry the vacuum over steps and sills.
11. Do not handle plug or vacuum handle with wet hands.
12. Do not put any object into vacuum openings. Do not use machine with any openings blocked. Keep openings free of lint, hair, and anything that may reduce air flow.
13. Do not re-use filter bags or wash the filters.
14. Do not remove any screws from vacuum.
15. Do not vacuum up anything that is burning or smoking, such as cigarettes, matches, or hot ashes.
16. Do not use vacuum without filter bag and/or filters in place.
17. Turn off all machine controls before unplugging.
18. Use extra care when cleaning on stairs.
19. Do not use machine to vacuum up flammable or combustible liquids such as gasoline or use in areas where they may be present.
20. Machines can cause a fire when operated near flammable vapors or materials. Do not operate this vacuum near flammable fluids, dust or vapors.
21. Maintenance and repairs must be done by qualified personnel.
22. Use only original SEBO replacement parts.
23. Do not use vacuum as a step.
24. If vacuum is used on plush carpet or carpet with thick padding, do not leave machine standing in one place with machine turned on.
25. Do not use the operator’s handle, which inserts into the top of the bag housing, to carry the machine. The carrying handle is located on the backside of the machine’s bag housing.
26. Keep hair, loose clothing, fingers, and all parts of body away from vacuum openings and moving parts. Do not place fingers or other body parts under vacuum unless it is unplugged.
27. Do not place the power head over rug or carpet edges.
28. The vacuum has a manual reset thermal protector. The protector is reset by switching off the vacuum. The thermal protector needs some time to cool down after switching off! Check the vacuum for air blockages or mechanical failures before switching on.
29. Store the vacuum in a dry place at room temperature. When the vacuum is not in use, you should wrap the cord on the cable hooks.
30. Any other servicing should be performed by an authorized service representative.

# SEBO ESSENTIAL G PRODUCT FEATURES

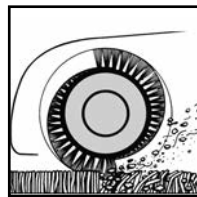
**Designed for All Floor Surfaces: Four-level Manual Brush Height Adjustment** – The brush height can be manually adjusted up or down for optimal cleaning effectiveness.

**Brush Obstruction Light & Auto Shut Off** – If an obstruction becomes jammed in the brush roller, a red warning light will quickly flash, the brush roller will immediately stop spinning and the vacuum will shut off. This prevents the belt from breaking and protects the motor from damage. The user should turn the switch off, unplug the machine and immediately remove the obstruction. If the user restarts the machine without removing the obstruction, the machine will again shut off in 3 seconds and the red “CHECK BRUSH” light will flash.

**Bag Full or Clog Light & Auto Shut Off** – A warning light will illuminate and the machine will automatically shut off, when it senses a full bag, a clog in the airflow pathway, or an excessively dirty micro filter. If the user ignores this warning for approximately 30 seconds, the machine will shut off and the “BAG FULL OR CLOG” light will flash. The user should turn the switch off, unplug the machine and immediately insert a new bag or remove the clog (to remove a clog, refer to the Clog Removal section on page 10). If the user restarts the machine without having solved the problem, the “BAG FULL OR CLOG” light will again illuminate and the machine will shut off in 30 seconds. This feature prevents damage to the motor due to overheating.



**Incorrect Height Setting or Worn Brush Light** – When the brush height is set too high for optimal cleaning or when the brush roller should be replaced due to wear, the red “CHECK BRUSH” light will illuminate (after a 10 second delay) to notify the user that the brush roller is set incorrectly or worn. If the red “CHECK BRUSH” light flashes continuously while the head is in position 1 (after a 10 second delay), it is signalling the user that the brush roller is too worn and, therefore, should be replaced. The light will remain illuminated until the worn brush roller is replaced, but the machine will continue to operate in the meantime.



**Easy Brush Roller Removal** – Quick brush cleaning or replacement is easy, and no tools are required!

**Vacuum Motor** – The ESSENTIAL G has a 1300 watt motor.

**Forty-foot Cord** – A 40-foot cord saves time because it minimizes the number of electrical outlets needed during use.

**Durable Matte Finish** – The ESSENTIAL G has an exterior housing with a special matte finish that is scratch and scuff-resistant, so it looks great even after years of use.

**Durable Heavy-duty Belts** – The reinforced toothed belts do not slip or stretch, resulting in a more efficient use of power, and they should last the life of the machine.

**Instant-use Wand and Suction Hose** – The integrated instant-use wand or suction hose is always ready. Just pull out either tool, or both together, to clean hard-to-reach corners, edges and crevices. The suction hose is ideal for cleaning furniture. And an optional nine-foot extension hose is available, which creates a total hose length of 15 feet, perfect for cleaning stairs. Choose from a range of optional attachments that can be fitted to the wand or hose. The wand and hose together have an eight-foot reach for instant cleaning of hard-to-reach areas.

**Two Power Head Widths** – The ESSENTIAL G4 is 12 inches wide, with a cleaning width of 10 ½ inches. The ESSENTIAL G5 is 15 inches wide, with a cleaning width of 13 ¼ inches. Both heads have one-sided edge cleaning.

**A Flat-to-the-floor, 5.5-inch Profile** – Such a low profile makes cleaning under furniture and beds easy!

**Three On-board, Full-size Tools and Large Filter Bag** – The vacuum comes standard with a crevice nozzle, dusting brush and upholstery nozzle, and a large 1.4 gallon filter bag. Many optional accessories are also available.

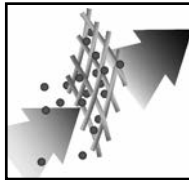
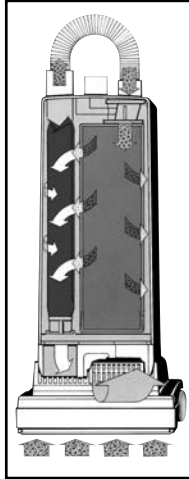
# STANDARD FEATURES OF ALL SEBO VACUUMS

## SEBO's FILTRATION SYSTEM:

**Bagged vs. Bagless . . . Bags are Better!** – Top-fill, three-layer Ultra Bags are an integral part of SEBO's filtration system because they hold virtually all the dirt captured by the vacuum, which improves the effectiveness and useful life of the microfilters. They also ensure continuously strong suction because dirt enters from the top, deposits at the bottom, accumulates upward, and air exits through the sides, which allows unimpeded airflow as they fill to capacity. And they can be tightly sealed with a hygiene cap when full, so no dust can escape into the air during bag removal and disposal.

In contrast, without bags to hold nearly all the captured dirt, the microfilters on bagless vacuums quickly clog from excessive dirt build-up and must be replaced often, or a loss of suction and cleaning effectiveness will occur. In addition, dust and other allergens become airborne when emptying bagless dirt containers. Lastly, bagless vacuum microfilters are expensive, usually costing more than a multi-year supply of SEBO filter bags.

**S-class, Pre-motor and/or Exhaust Microfilters** – S-class, Pre-motor and Exhaust Microfilters (S = "Schwebstoff" = airborne particles) are made from electrostatically charged, micro-fiber material, which attracts and captures dust particles from the airflow of the vacuum before and after it passes over the motor to cool it. Cooling the motor with super-clean air increases motor life and reduces the possibility of maintenance, even after many years of use. Also, the exhaust air is cleaned to the highest level before being emitted from the machine. The S-class Standard requires filters to absorb greater than 99.9% of particles down to 0.3 microns in diameter. For comparison, 100 microns is the diameter of a human hair. Their advantages are a relatively open texture that allows smoother airflow for better suction performance, a longer life expectancy, and they cost less than HEPA filters.



**Designed and Manufactured in Germany** – Legendary quality, reliability and performance make SEBO vacuums the first choice of cleaning professionals throughout the world.

**World's Best Pet Vacuums** – Because of superior power-head and brush-roller technology, SEBO vacuums are the world's best for pet hair removal!

**Excellent for Users With Allergies or Asthma** – The British Allergy Foundation recommends SEBO filters.

**Tightly Sealed Vacuums Ensure Effective Filtration** – Dirty air, which flows through a vacuum, can only be filtered completely if it does not escape into the room through seams or seals in the machine. This is why all SEBO vacuums have tight seals throughout.

Many vacuum companies with high-filtration claims are actually quoting specifications made by the manufacturer of the filter material, as measured in the laboratory, not the filtration effectiveness of the vacuum itself while operating. Whether or not dirty air can escape through leaks in the body of the machine is not considered. The filtration effectiveness of SEBO vacuums is tested while they operate.

**Reliable, Commercial-grade Components** – All SEBO vacuums are constructed with thick, reinforced, ABS plastic, aluminum and metal parts, steel axles and bearings, and high-end, quality motors. Therefore, SEBO users own reliable, long-lasting vacuum cleaners. Competing vacuums are made with thin, flimsy, inexpensive, plastic materials, none of which are reinforced, and typically have useful lifespans of one or two years.

**Rubber Wheels and Soft Bumpers Protect Homes** – Smooth-gliding, rubber wheels protect hard floors and provide exceptional maneuverability. In addition, the bumpers that surround the power heads and the soft AIRBELT bumpers that surround SEBO's canisters protect furniture, walls, and vacuum housings from incurring scuffs and scratches during use.

**Advanced, Brush-Roller Technology** – SEBO's brush rollers are uniquely designed to funnel hair and debris into the power head's airflow channel, which improves vacuum cleaning performance on all flooring surfaces.

**Changing Bags is Easy and Clean** – SEBO filter bags can be changed in just a few seconds, and a hygiene cap keeps dust sealed inside during removal and disposal.

**Save Money! SEBO Vacuums Last for Years and Extend Carpet Life!** – If properly maintained, SEBO vacuums save ordinary, residential users hundreds of dollars, by providing excellent performance for ten to fifteen years or more, and their deep-cleaning, power-brush technology extends the life of carpets. Typical vacuums perform poorly, even when new, and usually do not last beyond two years. So six or seven "disposable vacuums" must be purchased during the average life expectancy of just one SEBO machine.

**Incredible Warranty Coverage** – All SEBO models include a FREE seven-year warranty on the motor and five-years on non-wear parts and labor charges.

# OPTIONAL ATTACHMENTS, ACCESSORIES, BAGS & FILTERS

In addition to the standard on-board tools, a variety of optional attachments are available. The nine-foot extension hose (extends suction hoses) and the 22-inch extension wand (extends instant-use wands) are very popular because they create useful tools for cleaning stairs and out-of-reach areas. These two items are sold separately or as part of multiple item attachment kits.

Another popular attachment is the hand-held turbo brush for removing pet hair from upholstery. SEBO Ultra filter bags can be purchased in boxes of eight and filters are sold separately. Also, bags and filters can be purchased together in model-specific kits called "Service Boxes." SEBO bags, filters and accessories are reasonably priced and widely available. To create a fresh scent while vacuuming, SEBO FRESH is available. To use, deposit a scented stick in the filter bag.

## ATTACHMENTS

**Included**



Crevice Tool  
#1092JE



Dusting Brush  
Horsehair  
Bristles  
#1387GS



Upholstery  
Nozzle  
#1491JE

**Optional  
Three-piece Kit**



Parquet Brush\*  
#1359GS



9' 2"  
Extension Hose\*  
#1495AM



22" Extension  
Wand\*  
#1084GS

\*All three items are available individually or as a three-piece attachment kit, #1991AM.

**Additional  
Options**



Radiator  
Brush  
#1496GS



Flat Upholstery  
Nozzle #1090HG



Wall & Floor  
Brush  
#1325GS



Hand-held  
Turbo Brush  
#6179ER



Dusting Brush  
Large Opening  
Nylon Bristles  
#1094GS



Dusting Brush  
Nylon Bristles  
#1329GS

## BAGS, FILTERS, ACCESSORIES AND WEAR ITEMS



8 Ultra Bags  
#5093AM



Exhaust  
Filter  
#2846



S-class,  
Pre-motor  
Microfilter  
#5036AM



S-class,  
Charcoal,  
Anti-odor,  
Pre-motor  
Microfilter  
#5425AM



12" Brush Roller  
#5010AM



15" Brush Roller  
#2838AM



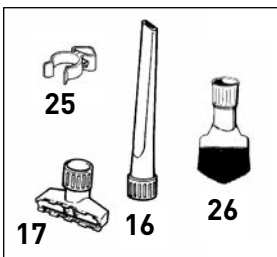
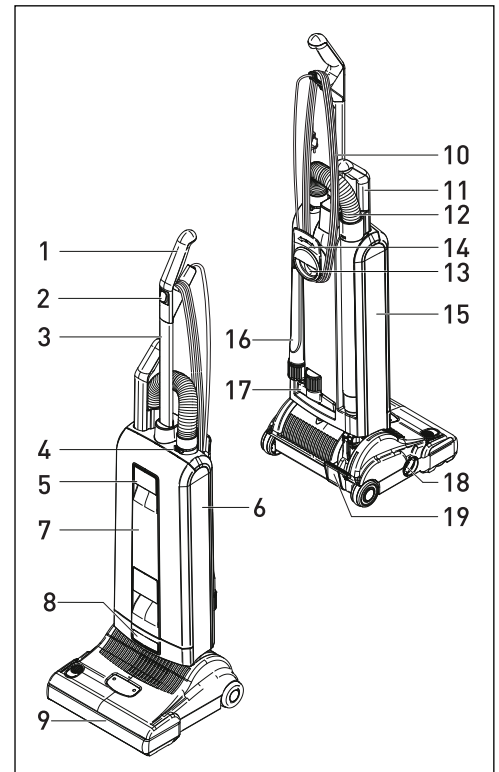
12" Brush Roller  
(soft bristle)  
#5010GE



SEBO  
FRESH  
1 Pkg. of 5  
#0496AM

# IDENTIFICATION OF PARTS

- |                           |                                 |
|---------------------------|---------------------------------|
| 1. Handle grip            | 13. Carrying handle             |
| 2. On/Off switch          | 14. Cable (cord) hook           |
| 3. Handle assembly        | 15. Cleaning wand (active wand) |
| 4. Retaining ring         | 16. Crevice nozzle              |
| 5. Cover release flap     | 17. Upholstery nozzle           |
| 6. Bag housing            | 18. Pile adjustment knob        |
| 7. Front cover            | 19. Foot pedal                  |
| 8. Housing release button | 20. Swivel neck                 |
| 9. Power head with brush  | 21. Support lever               |
| 10. Cable (cord)          | 22. Handle release catch        |
| 11. Cleaning wand handle  | 23. Projection tab              |
| 12. Attachment hose       | 24. Connecting tube             |
|                           | 25. Dusting brush clamp         |



## Standard Attachments

- 16. Crevice nozzle
- 17. Upholstery nozzle
- 25. Dusting brush clamp
- 26. Dusting brush

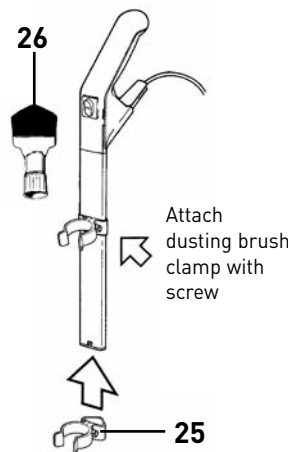
# ASSEMBLY

Place the power head (9) on the floor with the swivel neck (20) and the support lever (21) upright. Hold the bag housing (6) vertically and place it over the swivel neck and support lever. Push firmly and **evenly** down so that the housing release button (8) snaps outward to its "locked" position.

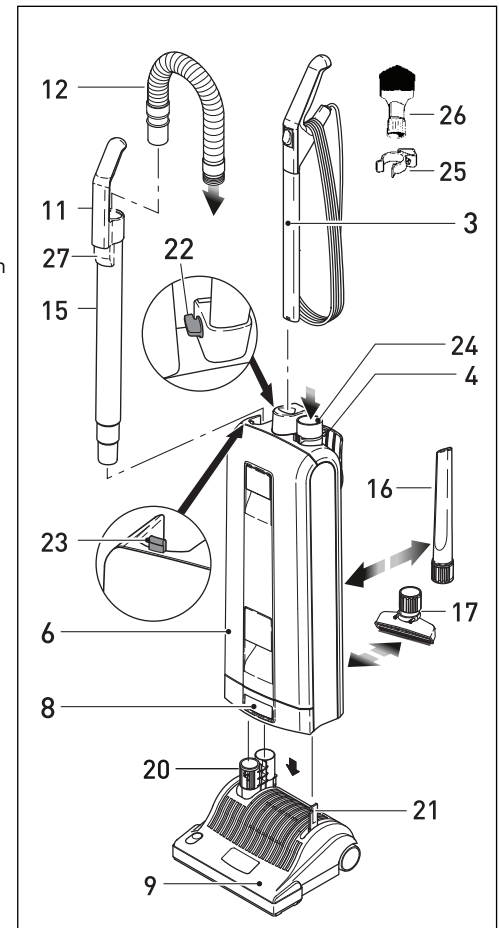
Slide the dusting brush clamp (25) onto the handle tube (3) and tighten the screw. The handle of the dusting brush (26) will now snap into the clamp.

To insert the handle tube (3) into the housing, lift the catch (22), slide the handle in, making sure that the handle is all the way in and cannot go any further. Push the catch (22) down to lock handle in place. If the handle is not pushed fully down, the vacuum will not work.

Push the black end of the attachment hose (12) into the connecting tube (24) so that it clicks into place. Insert the cleaning wand (15) into the swivel neck opening and seat the handle (11) over the projection tab (23).



**NOTE:** All illustrations shown in this manual represent the G4 model except where part numbers and instructions are different for each model. In those instances, illustrations for both the G4 and G5 will be shown.



# OPERATING INSTRUCTIONS

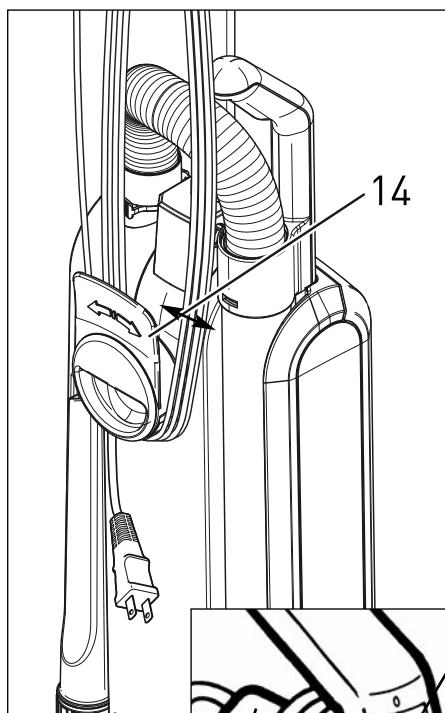


Figure 1

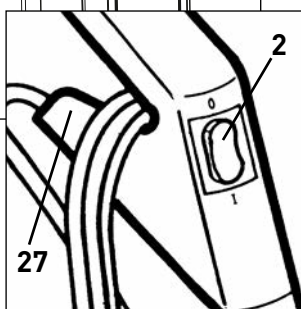


Figure 2

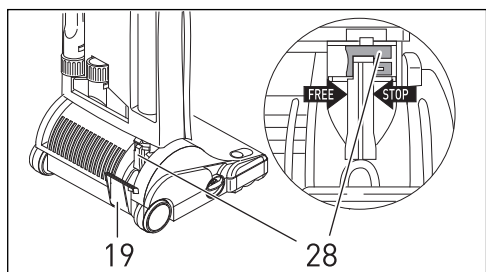


Figure 3

## Starting The Machine - Figures 1 & 2

Before turning on your vacuum cleaner, make sure that the vacuum handle is in its upright locked position and that you have a firm hold on the handle grip to keep the machine from moving forward.

1. Turn the quick release cable hook (14) to the up position by moving it to the left or right (figure 1).
2. Release the power cord plug from the power cord and lift the cord off of the upper cord hook (27 - figure 2).
3. With the switch (2) in the "0" (OFF) position (figure 2), plug the polarized power cord into a 120 volt outlet located near the floor.

Switch Position

0 = OFF

1 = ON

## Operating Positions - Figure 3

To release the machine from the upright locked position, press down on the foot pedal (19) and lower the handle into the normal operating position.

The handle can be lowered to an intermediate stop position in order to lift up the brush head for maneuvering over rugs, etc. To lower the handle to a horizontal position useful for vacuuming under beds, the foot pedal must be pressed a second time. The intermediate stop position can be closed off by the orange-colored slider (28) on the back of the swivel neck (20), so that the handle will go from vertical to horizontal in one movement.

**! WARNING!** The quality, condition, coating, texture, age and manufacturing technique of all floor surfaces vary. Therefore, upright vacuums with rotating brushes, including your SEBO, may damage some floor coverings or surfaces. Some types of high-gloss hardwood floors, cushion vinyl, berber carpets, long shag, and delicate or hand-woven carpets are particularly vulnerable to damage by rotating brushes. When possible, consult the materials supplied by your floor's manufacturer for information on proper upkeep and cleaning. **To ensure that your new SEBO vacuum cleaner is compatible with your floor, please test the vacuum cleaner on each type of flooring surface in a small inconspicuous area to determine if any damage occurs. If damage occurs, stop using the vacuum cleaner immediately!**

**Care must be taken to ensure that the bottom of the machine does not contact the floor.** If this happens, damage to the floor could occur. **If damage occurs, stop using the vacuum cleaner immediately!**



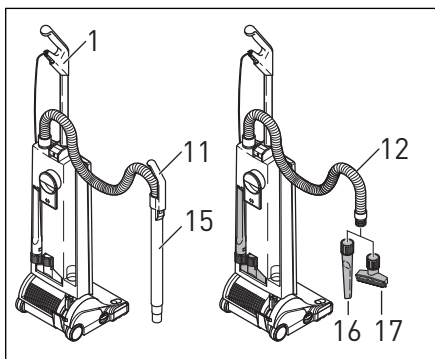


Figure 4

Figure 5

## Using the Cleaning Wand, Hose & Attachments - Figures 4, 5 & 6

The cleaning wand (15) is useful for vacuuming corners and hard-to-reach areas. The handle grip (1) should be in the upright, locked position **(as shown in figure 4)**. Grip the cleaning wand handle (11), pull it up and away from the machine and stretch out the hose (12) until it locks to the back of the tube (this locking action will prevent the hose from retracting back into the cleaning wand while it is in use). Various attachments may be inserted onto the end of the tube. After use, remove attachment and re-insert the cleaning wand into the back of the machine. **Be sure that the cleaning wand handle (11) is inserted over the projection tab (see #23, page 6)**. If the cleaning wand handle is properly seated over the projection tab, the hose will automatically retract and you may resume vacuuming. There is no need to turn off the vacuum while switching from upright vacuuming to using the cleaning wand or hose.

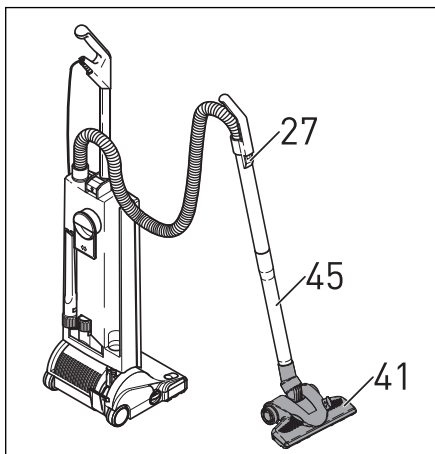


Figure 6

To use the hose without the cleaning wand **(as shown in figure 5)**, pull the hose out of the cleaning wand while the tube is still attached to the machine and **securely seated over the projection tab (23)**. Insert an attachment tool, if desired, onto the end of the flexible hose. You may also release the hose while the cleaning wand is disengaged from the machine by pressing the release button (27) at the base of the handle (11).

While using attachment tools, you may keep the brush roller off the carpet by placing the handle (1) in its upright locked position and lowering the handle with one hand to raise the brush roller off of the floor. Operate attachment accessories with the other hand. Or, with the handle in the upright locked position, the machine may be tipped backward so that it rests on the back side of the bag housing, and the power head is locked in a perpendicular position to the floor. Ensure that no children or pets can come into contact with the spinning brush roller.

To vacuum walls, under beds, or higher-reach areas, etc., the SEBO ESSENTIAL G can be fitted with an additional straight tube (45) and the wall and floor brush (41). The machine will then perform as a canister vacuum **(as shown in figure 6)**.

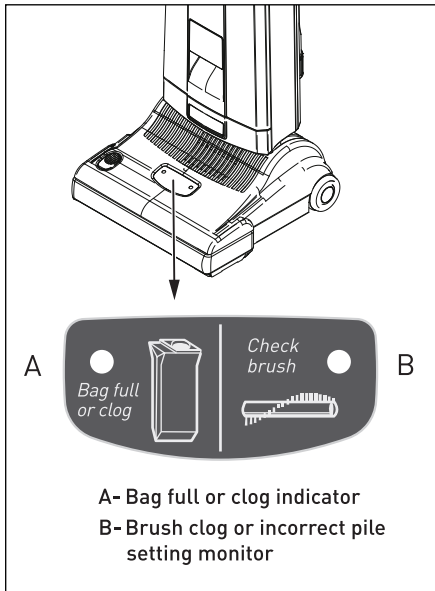


Figure 7

## The Display Panel - Figure 7

- |           |  |
|-----------|--|
| Red light | <b>(A):</b> Off – Operation of machine is normal   |
| Red light | <b>(A):</b> Continuous – change bag or clear clog in the hose or power head.   |
| Red light | <b>(A):</b> Flashing and motor off – filter bag is full, or clog in the hose or power head due to ignoring the continuous red warning light for full bag or clog (see above) |
| Red light | <b>(B):</b> Off – Operation of brush is normal   |
| Red light | <b>(B):</b> Flashing while in position 1 on the pile adjustment knob (18) – brush is worn - change brush roller  |
| Red light | <b>(B):</b> Continuous while in positions 1-4 – incorrect brush setting- adjust the brush by turning the pile adjustment knob (18) to a higher or lower position             |
| Red light | <b>(B):</b> Flashing and motor switched off – clogged brush  |
| Red light | <b>(B):</b> Flashing and motor switched off with no blockage – raise brush to a higher position  |

**For additional information on the display panel, see page 4**

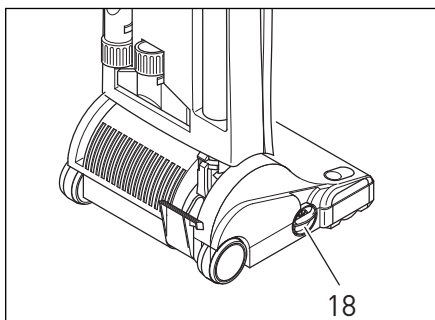


Figure 8

## The Height Adjustment Wheel - Figure 8

The pile adjustment wheel (18) has 4 brush height settings. Setting 1 is the lowest brush setting and setting 4 is the highest brush setting. When starting the vacuum, always start with the knob set at 4, then lower knob settings until the brush reaches the proper height. The red brush light on the display panel will light after 6 seconds if the brush is too high. Adjust the knob down. If after 6 seconds, the brush light stays unlit, the brush is at the proper setting for the pile. The red brush light will also illuminate if the setting is too low. Adjust the knob up until the light stays unlit after 6 seconds.



**Always unplug vacuum from outlet before dismantling any part of the machine!**

## Changing the Filter Bag - Figure 9

To change the filter bag, pull the cover release flap forward (#5 on page 6) and lift the cover (7) from the bag housing. **The cover release flap must remain in a forward "pulled-out" position to change filter bags and lock them into place.** Squeeze the clamps on both sides of the filter bag sealing plate (29), slide the plate from the holder (30) and push the cap on to seal the bag. Slide the sealing plate (29) of a new bag into the holder and push it in firmly. Re-insert cover into the bag housing, push it forward, then lock it in place by pushing down the cover release flap. You may find it convenient to store the bag cap inside the bag housing below the filter bag.



Ultra Filter Bag  
Part #5093AM

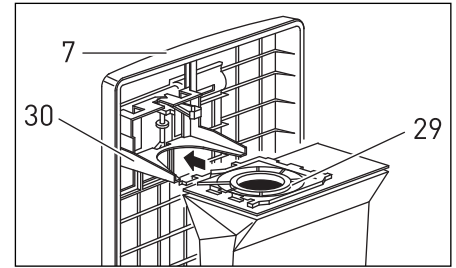


Figure 9

## Changing the Pre-motor Microfilter - Figure 10

The pre-motor microfilter (31) needs to be changed when it becomes extremely dirty or clogged with dust, or after approximately 20 filter bags have been used. To change the pre-motor microfilter, pull the cover release flap (#5 on page 6) forward and lift the cover (7) from the bag housing. Then, slide the filter out at the bottom. To replace, lift the safety lever (32) and slide the new filter in using the tracks as guides.



Pre-motor  
Microfilter  
Part #5036AM

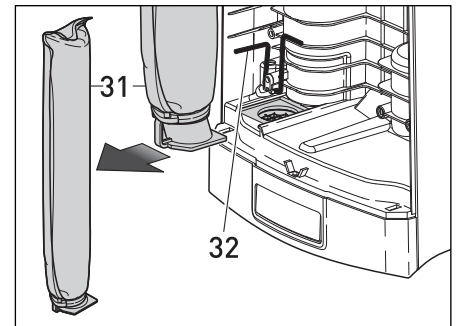


Figure 10

## Changing the Exhaust Filter - Figure 11

After 20 bags have been used, change the exhaust filter (33). Remove the bag housing (6) from the power head by pressing the housing release button (8). To remove the exhaust filter, push the catch (34) and remove the filter cover (35) and exhaust filter. Insert the new filter, replace the filter cover then insert the bag housing back into the power head.



Exhaust Filter  
Part #2846

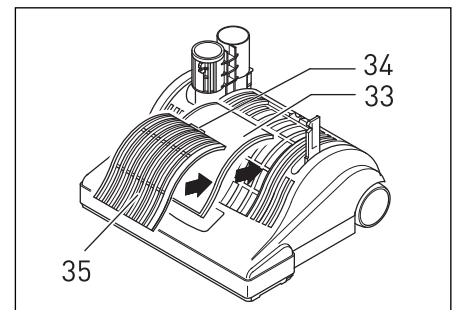


Figure 11

## Changing the Brush Roller - Figure 12

To change the brush roller (37), push the button (36), remove the side plate (38), turn the brush clockwise a quarter of a turn, and pull the old brush roller out. Slide the new brush roller into the brush housing and turn it until it locks into position. While slightly pushing the button (36), press the side plate (38) back into the locked position.



Brush Roller G4  
Part #5010AM

Brush Roller G5  
Part #2838AM

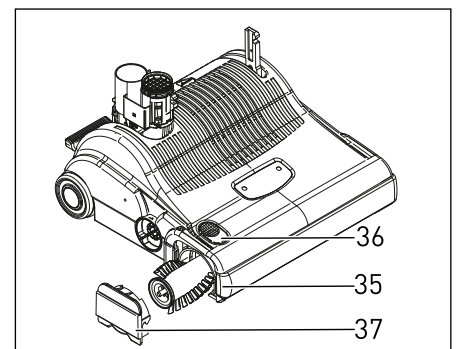


Figure 12

# CLOG REMOVAL

 **Always unplug vacuum from outlet before removing any clogs!**

## Clogs in the Airflow Pathway - Figure 13

Most clogs can be removed by accessing the airflow pathway via the orange colored access door (39) located on the underside of the power head. However, other clogs may only be removed by accessing the airflow pathway by disassembling the machine in the opposite sequence of the machine's original assembly (see assembly, page 6).

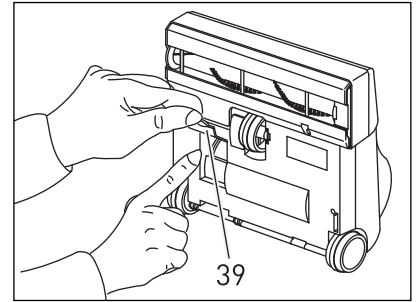


Figure 13

## Clogs in the Attachment Hose - Figure 14

Blockages in the hose can be cleared by removing the attachment hose (12) from the machine by squeezing the retaining ring (4) and inserting the opposite end of the hose in the connecting tube (24). Hold the hose upright with one hand blocking the top end and switch on the machine. If necessary, quickly lift your hand on and off the end of the hose. If this procedure does not clear the clog, a straight wire can be inserted into the hose to push out the clog. Take care not to puncture the hose with the wire.

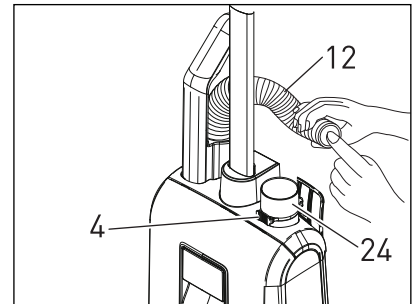


Figure 14

## Clogs in the Cleaning Wand (Active Wand) - Figure 15

Remove attachment hose (12) from the cleaning wand (15) by pressing the hose release button (27). Then, grip cleaning wand handle (11) and remove tube from the machine. A straight wire can be inserted into the tube to push out the clog.

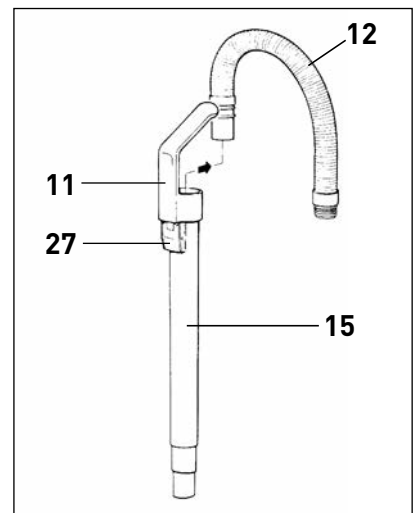


Figure 15

## Clogs in Entrance to Filter Bag - Figure 16

Remove attachment hose (12) from vacuum cleaner (see figure 14) and remove front cover (7). Clean out connecting tube (24) and/or entrance to bag (40).

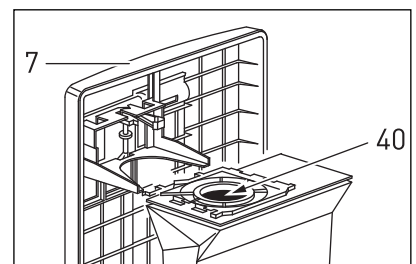


Figure 16

## Clogs in the Swivel Neck - Figure 17

Clogs in the swivel neck (20) can be removed by first pressing the housing release button (8) and lifting off the bag housing (6). Lift upward firmly and evenly to properly remove the bag housing. Then, release the foot pedal (19), lower the swivel neck, check inside the swivel neck channel closest to the foot pedal (see arrow), and clean out pathway.

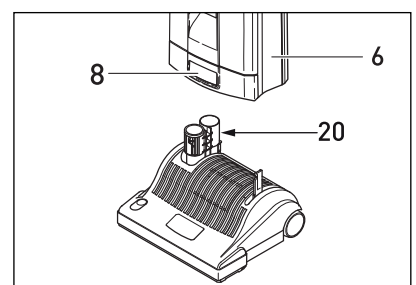


Figure 17

# TROUBLE-SHOOTING GUIDE

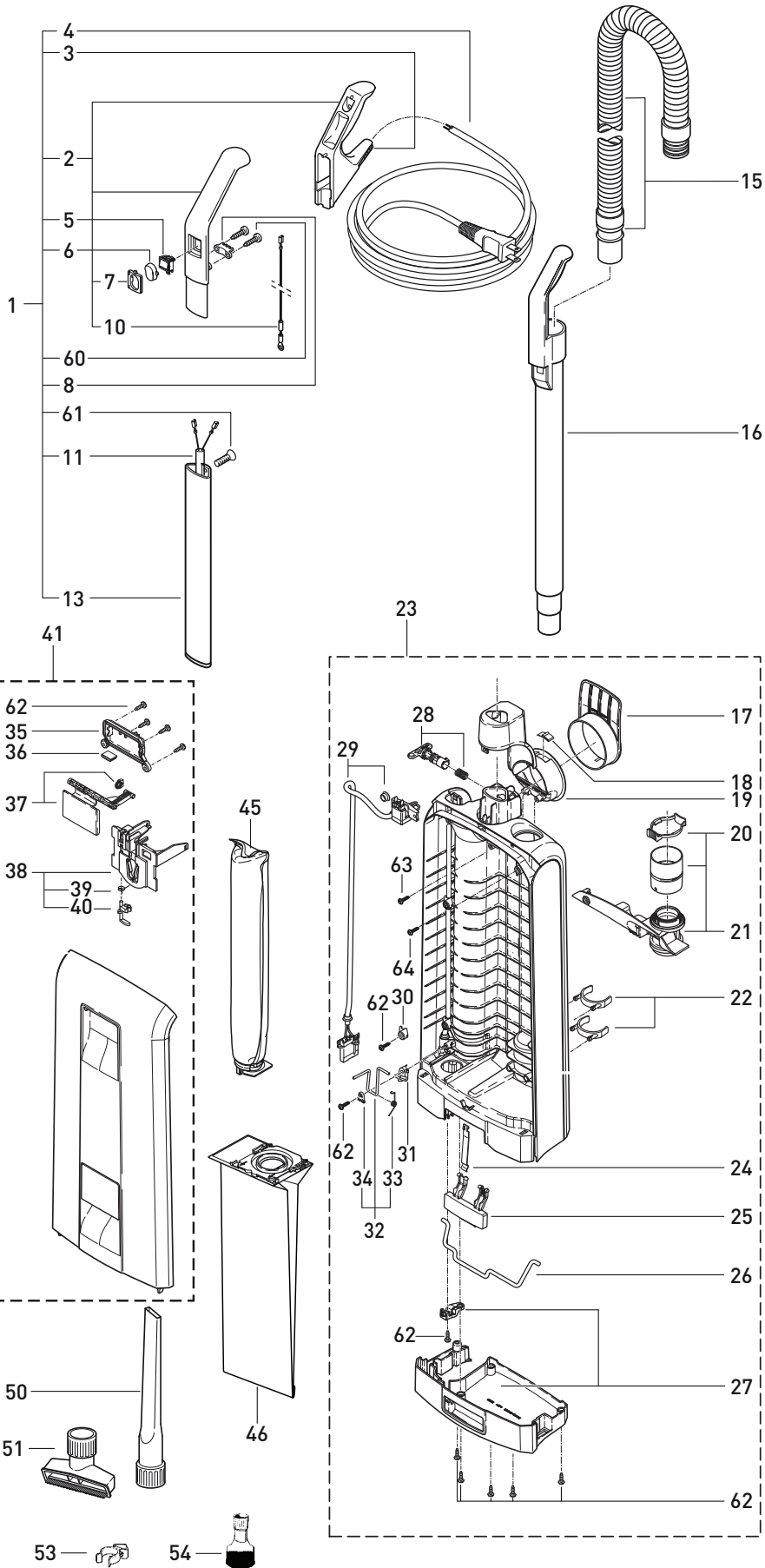


**Always unplug vacuum from outlet before dismantling any part of the machine!**

<b>PROBLEM</b>	<b>REASON</b>	<b>SOLUTION</b>
<b>Does not turn on or machine shuts off intermittently</b>	1. Handle not fully inserted into the bag housing, causing a faulty connection.	1. Release handle catch, push handle down, close handle catch.
	2. Not plugged into good outlet.	2. Use another outlet.
	3. Cable worn.	3. Replace cable.
	4. Bag housing (6) not seated fully into proper "locked" position on top of power head.	4. Housing release button (8) should be snapped outward to its locked position.
<b>Bag full or clog light on or flashing &amp; machine shuts off (red light A see page 9, figure 7, also, see page 4)</b>	1. Bag full.	1. Replace bag. See page 10.
	2. Clog in airflow pathway, attachment hose, cleaning wand, swivel neck or entrance to filter bag.	2. See Clog Removal on page 11.
	3. Microfilter dirty.	3. Replace microfilter. See page 10.
<b>Brush light on or flashing (red light B see page 9, figure 7, also, see page 4)</b>	1. Brush worn.	1. Replace brush. See page 10.
	2. Incorrect brush setting	2. Adjust the brush by turning the pile adjustment knob up or down.
<b>Brush light flashing &amp; machine shuts off (red light B, page 9, also, see page 4)</b>	1. Brush jammed or clogged.	1. Clear jam. See page 11.
	2. Brush is too low for the surface being vacuumed.	2. Raise the brush by turning the pile adjustment knob up.
<b>Does not pick up</b>	1. Cleaning wand not correctly inserted.	1. Reinsert cleaning wand, making sure lower end of tube is in the lower hole and handle is properly seated over the projection tab (23).
	2. Front cover not closed.	2. See below.
<b>Front bag door won't fully close</b>	1. Cover release flap not fully closed.	1. Reinsert bag. Lock the cover release flap down firmly.
	2. Bag not inserted properly.	2. Reinsert bag with cover release flap (5) up, until firmly latched in bag holder (see pg. 10, figure 9).
	3. Microfilter not properly inserted.	3. Lift safety lever and insert filter with vertical plastic ridge on filter facing you (see pg. 10, figure 10).
<b>Hose doesn't retract after cleaning wand is inserted</b>	1. Cleaning wand not properly inserted.	1. Reinsert making sure top of handle is pointing back and tube is fully seated on the protruding tab (23) on top of the bag housing.

# ESSENTIAL G4 | G5 SCHEMATIC AND PARTS LIST

#90406AM G4 - Light Gray/Gray Black  
 #90407AM G5 - Light Gray/Gray Black



## Bag Housing and Handle

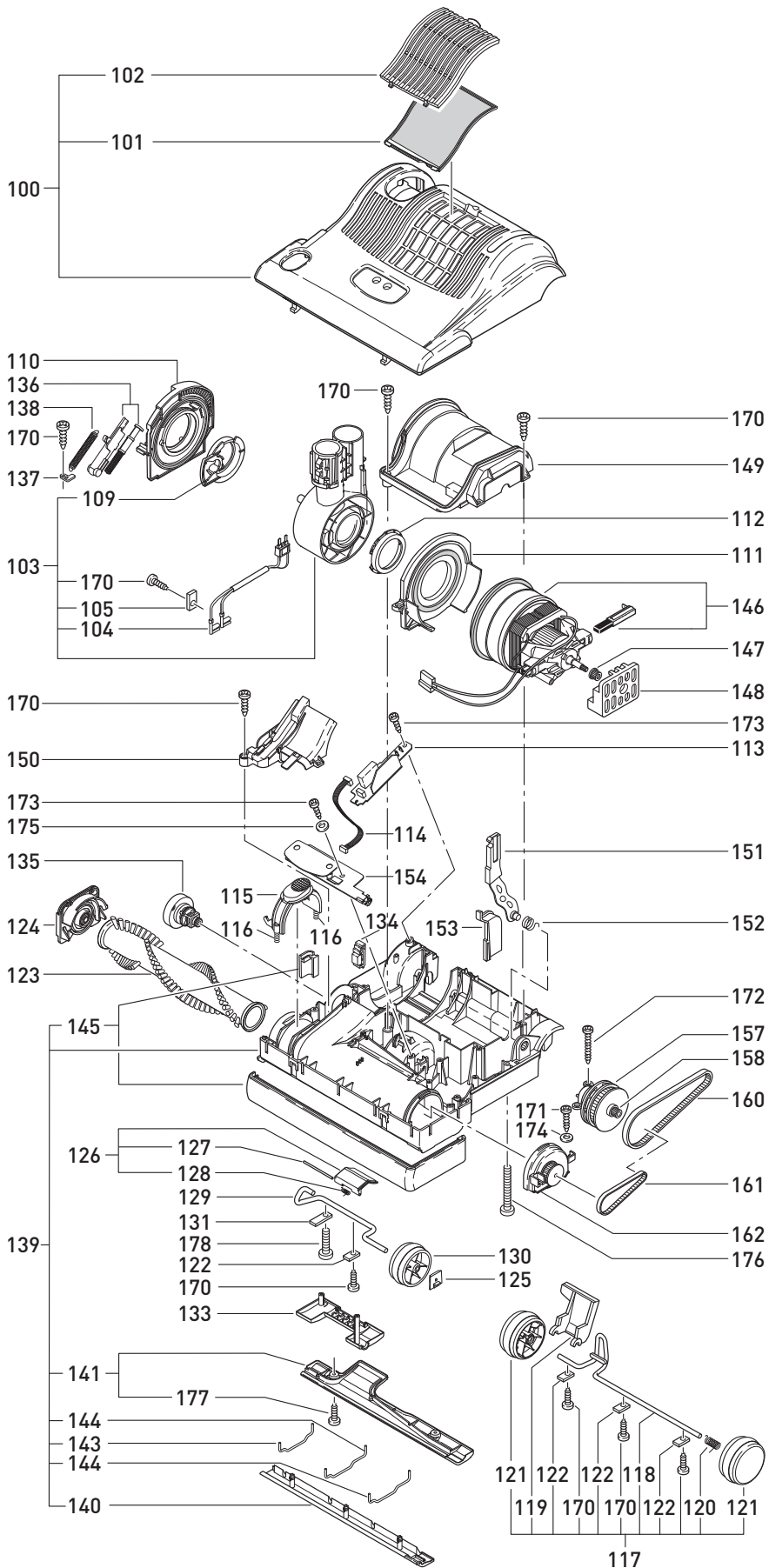
#90406AM G4 and #90407AM G5  
 Light Gray/Gray Black Machine

Pos.	Part #	Description
1	5624AM	Handle with cable, cpl., light gray/gray black
2	5296ES	Handle grip, light gray (incl. pos. 3, 7, 10)
3	5359HE	Grommet
4	5450DG	Power supply cord
5	05113	Switch
6	5160GS	Switch cap, gray black
7	5161HG	Switch cap holder, light gray
8	5162	Cable clamp
10	5253UL	Antistatic wand
11	5298ER	Handle cable, 2-wire
13	5187	Handle tube
15	5040SB	Hose, cpl, silver
16	5045HG	Cleaning wand w/out hose, light gray
17	51108HG	Cable hook, light gray
18	5146	Stop spring
19	51109HG	Carrying handle, light gray
20	5424GS	Retaining ring
21	51115HG	Internal cover, cpl.
22	1823HG	Attachment clip, light gray
23	51150HG	Bag housing, cpl., light gray
24	5084	Spring for locking rod
25	51103GS	Bag housing locking catch, gray black
26	5083	Locking rod
27	51102HG	Bag housing bumper base, light gray
28	51110ER	Lock catch w/spring, gray black
29	51118ER	Internal cable
30	5164	Cable clamp
31	5266	Cable clamp
32	5208	Filter safety catch, cpl., incl. pos. 33+34
33	5210	Return spring
34	1073	Clamp
35	51159GS	Cover, gray black
36	5319	Bag holder spring
37	51153GS	Cover release, gray black
38	1847	Bag holder cpl., incl. pos. 39+40
39	5091	Safety catch spring
40	1817	Safety catch
41	51151HG	Front cover, cpl., light gray
45	5036AM	Pre-motor microfilter
46	5093AM	Ultra filter bag
50	1092JE	Crevice nozzle, light gray
51	1491JE	Upholstery nozzle, light gray
53	5460GS	Mounting clip w/ screw, gray black
54	1387GS	Dusting brush, gray black
60	0103ER	Screw C3.9x15
61	0129ER	Screw M4x12
62	01036ER	AMTEC screw 4x13 Tx20
63	01036SW	AMTEC screw 4x13 Tx20, black
64	01047ER	AMTEC screw 3x12 Tx10, black



# ESSENTIAL G4 SCHEMATIC AND PARTS LIST

#90406AM G4 - Light Gray/Gray Black



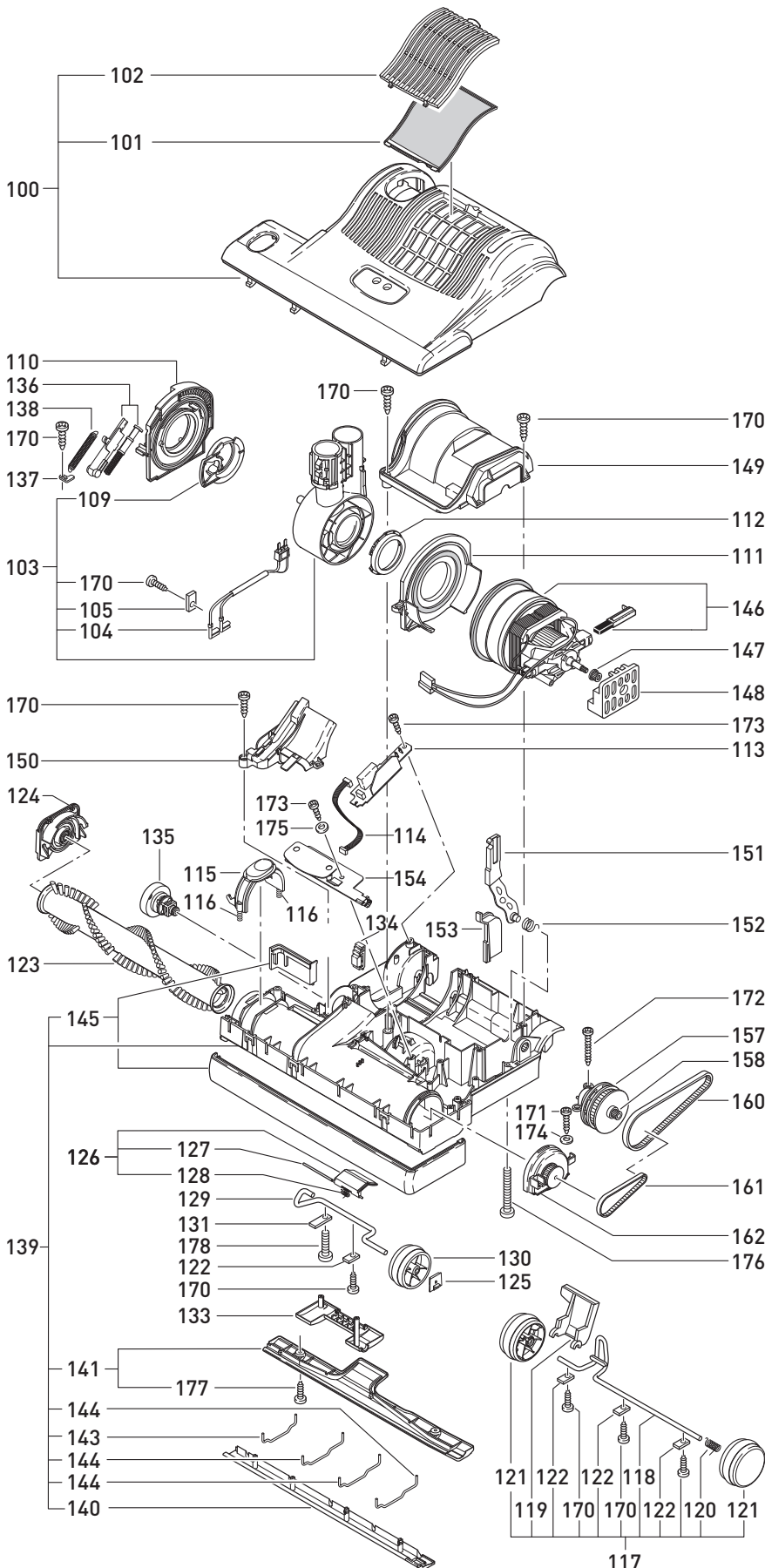
## Power Head

### #90406AM G4 Light Gray/Gray Black Machine

Pos.	Part #	Description
100	2831AM2	Power head cover, cpl., gray black
101	2846	Exhaust filter
102	2820GS	Exhaust filter cover, gray black
103	20823UL	Swivel neck assembly, light gray/orange
104	2883UL	Male contact holder
105	2494	Cable clamp
109	2825	Swivel neck bearing r.h.
110	2824	Swivel neck support r.h.
111	5479	Swivel neck support l.h.
112	5717	Swivel neck bearing l.h.
113	2890ER	PCB Power supply
114	0864	Internal cable
115	5713GS	Brush roller release, gray black
116	5103	Spring
117	5051HG	Axle assembly, light gray/orange
118	5053	Axle
119	5059OR	Foot pedal, orange
120	2010	Wheel return spring
121	5819HG	Wheel, light gray
122	2014ER	Axle clamp
123	5010AM	Brush roller
124	5031HG	Bearing Block, r.h., light gray/gray black
125	2869HG	Rubbing plate, light gray
126	2868OR	Access door, incl. pos. 127+128
127	5303	Access door axle
128	5304	Access door spring
129	2861	Pile adjustment axle
130	5174HG	Pile adjustment wheel, light gray
131	2849	Axle clamp
133	2860HG	Cover, light gray
134	2833	Thrust member
135	2862HG	Pile adjustment knob, light gray
136	2834	Thrust member
137	2856	Clamp
138	2867	Spring
139	2821HG	Chassis G4, cpl., light gray
140	5411HG	Front bottom plate, cpl., light gray
141	2829HG	Rear bottom plate, cpl., light gray
143	5401	Wire tie, bottom plate, outer
144	5402	Wire tie, bottom plate, center
145	5005HG	Bumper set, light gray
146	5468	Motor 1300W/120V
	05117S	Carbon brush set
	05135	Thermo switch
147	5462	Motor pulley 2MR
148	5100	Rubber mounting
149	2826GS	Motor cover, gray black
150	2839SW	Cover for air channel
151	50129	Support lever
152	5107-1	Support spring
153	5112SW	Motor pulley cover
154	20881ER	Computer controller
157	5464	Sensor
158	5117/1	Sensor pulley
160	5463	Belt 2MR-310-6
161	5110	Belt 219 3M HTD-II-6
162	5766HG	Bearing block l.h., cpl.
170	0102ER	Screw M3.9x13 DIN 7981
171	0103ER	Screw C3.9x16 DIN 7981
172	0104ER	Screw M3.9x25 MM
173	0107ER	Screw 2.9x13
174	0140ER	Washer 4.3 DIN 125
175	0143ER	Washer 3.2 DIN 125
176	0176ER	Screw M4x30
177	0197ER	Screw M4x12 w/washer
178	01010ER	Screw M4x16 DIN 7985

# ESSENTIAL G5 SCHEMATIC AND PARTS LIST

#90407AM G5 - Light Gray/Gray Black



## Power Head

### #90407AM G5 Light Gray/Gray Black Machine

Pos.	Part #	Description
100	2832AM2	Power head cover, cpl., gray black
101	2846	Exhaust filter
102	2820GS	Exhaust filter cover, gray black
103	20823UL	Swivel neck assembly, light gray/orange
104	2883UL	Male contact holder
105	2494	Cable clamp
109	2825	Swivel neck bearing r.h.
110	2824	Swivel neck support r.h.
111	5479	Swivel neck support l.h.
112	5717	Swivel neck bearing l.h.
113	2890ER	PCB Power supply
114	0864	Internal cable
115	2843GS	Brush roller release, gray black
116	5103	Spring
117	5051HG	Axle assembly, light gray/orange
118	5053	Axle
119	5059OR	Foot pedal, orange
120	2010	Wheel return spring
121	5819HG	Wheel, light gray
122	2014ER	Axle clamp
123	2838AM	Brush roller
124	5031HG	Bearing Block, r.h., light gray/gray black
125	2869HG	Rubbing plate, light gray
126	2868OR	Access door, orange, incl. pos. 127+128
127	5303	Access door axle
128	5304	Access door spring
129	2861	Pile adjustment axle
130	5174HG	Pile adjustment wheel, light gray
131	2849	Axle clamp
133	2860HG	Cover, light gray
134	2833	Thrust member
135	2862HG	Pile adjustment knob, light gray
136	2834	Thrust member
137	2856	Clamp
138	2867	Spring
139	2822HG	Chassis G5, cpl., light gray
140	2828HG	Front bottom plate, cpl., light gray
141	2830HG	Rear bottom plate, cpl., light gray
143	5401	Wire tie, bottom plate, outer
144	5402	Wire tie, bottom plate, center
145	2842HG	Bumper, 2pc. set, light gray
146	5468	Motor 1300W/120V
	05117S	Carbon brush set
	05135	Thermo switch vac
147	5462	Motor pulley 2MR
148	5100	Rubber mounting
149	2826GS	Motor cover, gray black
150	2839SW	Cover for air channel
151	50129	Support lever
152	5107-1	Support spring
153	5112SW	Motor pulley cover
154	20881ER	Computer controller
157	5465	Sensor, cpl.
158	5117/1	Sensor pulley
160	5463	Belt 2MR-310-6
161	5110	Belt 219 3M HTD-II-6
162	5766HG	Bearing block l.h., complete
170	0102ER	Screw M3.9x13 DIN 7981
171	0103ER	Screw C3.9x16 DIN 7981
172	0104ER	Screw M3.9x25 MM
173	0107ER	Screw 2.9x13
174	0140ER	Washer 4.3 DIN 125
175	0143ER	Washer 3.2 DIN 125
176	0176ER	Screw M4x30
177	0197ER	Screw M4x12 w/washer
178	01010ER	Screw M4x16 DIN 7985

# NOTES